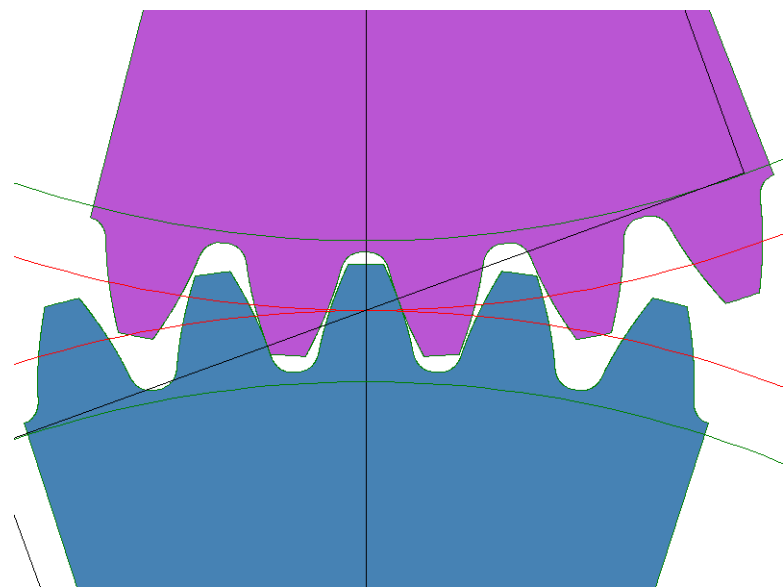
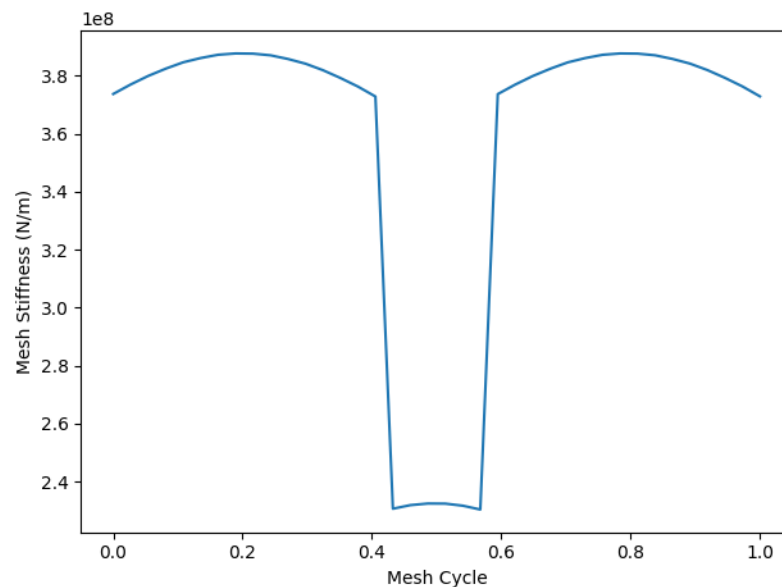


# Dynamic Response of Gears

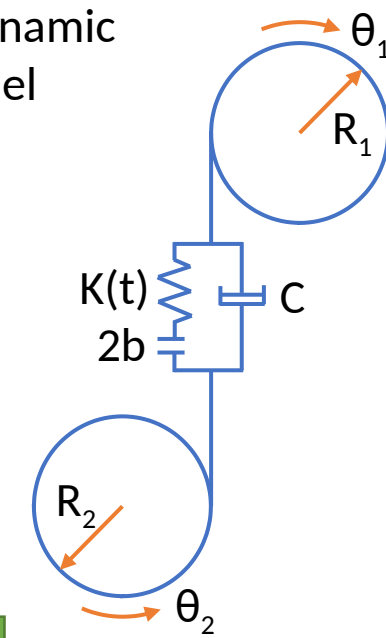
## Express analysis of a mesh cycle



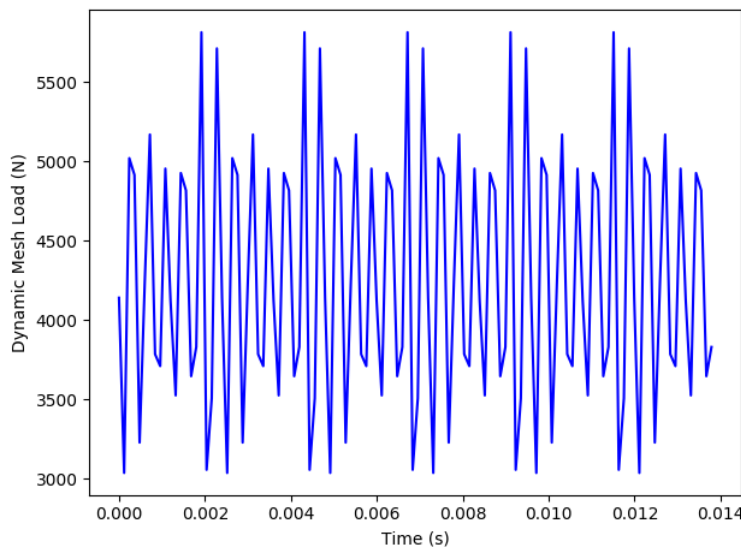
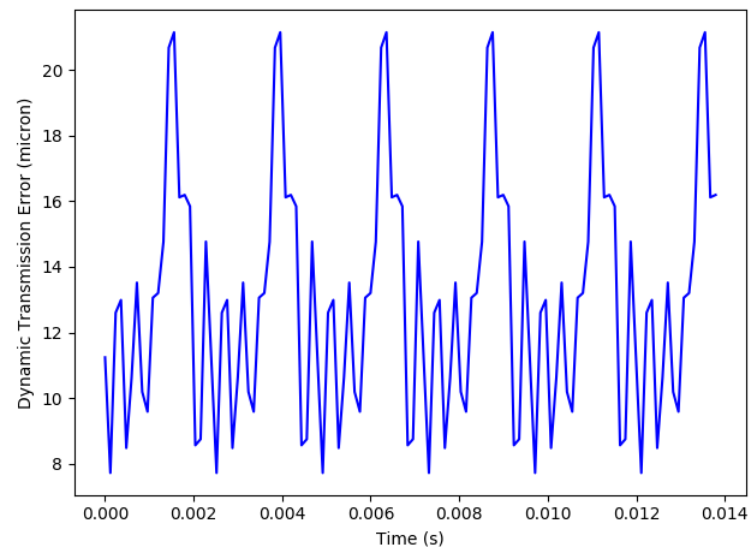
## Time varying mesh stiffness



## SDOF dynamic model



## DTE and dynamic mesh load at a given speed



At  $\omega_i$

## Main resonance range

